



RACE SERIES

PERFORMANCE ENGINE BEARINGS



**NO RISK
NO COMPROMISE
TOTAL PERFORMANCE**

RSAG12

www.aclperformance.com.au



RACE SERIES

PERFORMANCE ENGINE BEARINGS

If you place demands on your engine you must demand the best!

High performance driving demands that you use the best parts. So rely on ACL's Race Series performance engine bearings to perform to exacting race standards you expect. They provide the dependability it takes to hold up under higher RPM conditions. The unique combination of design, metallurgy and engineering come together to deliver what drivers expect from high performance trimetal bearings. These Race Series performance engine bearings go the distance.

So, if you're looking for the best result, demand the best - demand ACL Race Series performance engine bearings.

FEATURES OF ACL RACE SERIES PERFORMANCE ENGINE BEARINGS

Precision Manufacturing

ACL Race Series performance engine bearings are manufactured to exacting tolerances with particular attention paid to wall thickness accuracy. This ensures reliable fit and helps maintain consistent clearances.

Bearing Material Enhancements

A blend of characteristics to provide high strength and excellent seizure resistance.

No flash plating is applied to further improve bearing retention and maximise heat transfer.

ACL Race Series performance engine bearings are identified from the standard range by the following suffixes:

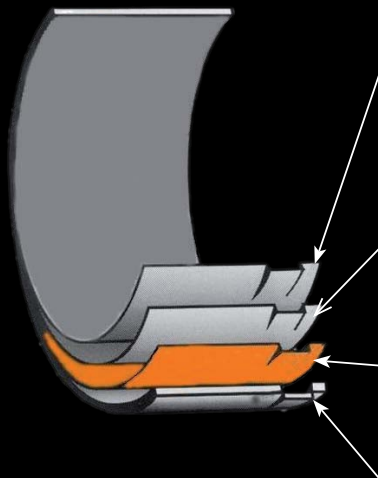
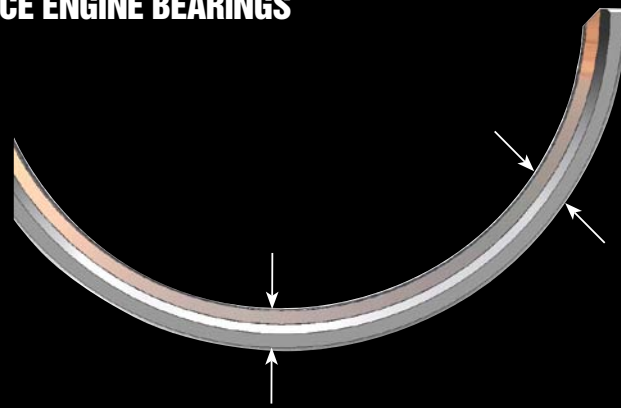
H = ACL Race Series.

HX = ACL Race Series with 0.025mm (0.001") extra clearance.

HD = ACL Race Series with location dowel holes.*

HXD = ACL Race Series with 0.025mm (0.001") extra clearance and location dowel holes.*

*Connecting rod bearing applications only.



LAYER	ALLOY
Overlay	Lead-Tin-Copper
THICKNESS (Typical)	0.013mm* 0.018mm
*Connecting Rod Bearings Only - Reduced for increased fatigue resistance	
Seizure resistant - Low friction and deformable	
Barrier	Nickel
THICKNESS (Typical)	0.0001mm
Separation Layer	
Lining	Copper-Lead-Tin
THICKNESS (Typical)	0.3mm
Fatigue Strength - Strong yet deformable	
Steel	SAE1010 (High tensile)
THICKNESS (Typical)	Rem
High Strength - supports bearing lining	

Bearing Design Enhancements

Crush increased for:

Improved bearing retention from higher radial contact pressure. Locks the bearing into the housing.

More effective heat dissipation through improved thermal transfer.

Bearing Eccentricity

Definition: Gradual reduction in wall thickness between the crown and parting line.

Race Series performance engine bearings feature increased eccentricity to increase improve shape adaptation to compensate for bore distortion at high speed operation.

Assists in the formation of hydrodynamic oil film.

Main Bearings with Extended Grooves

Full (180°) grooved uppers with matching partial groove in lowers.

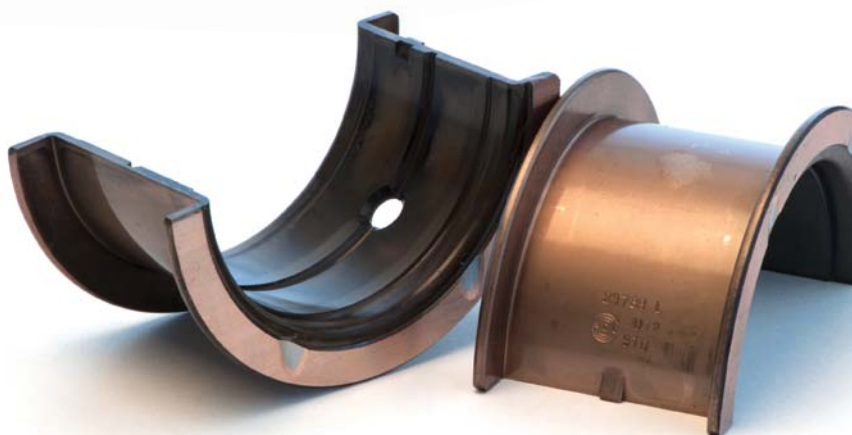
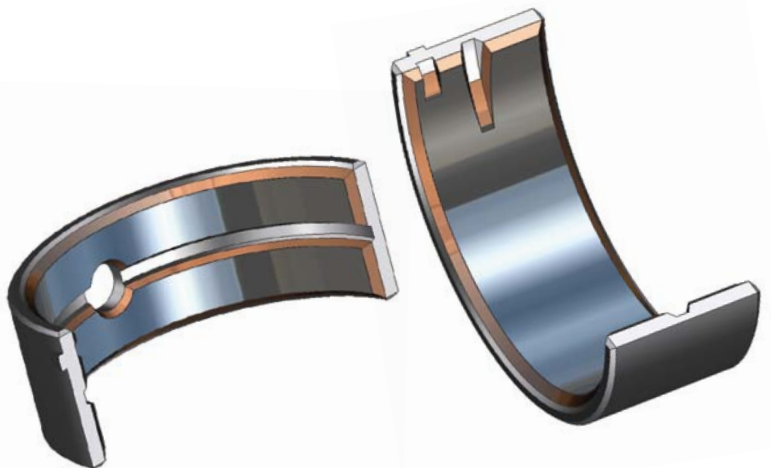
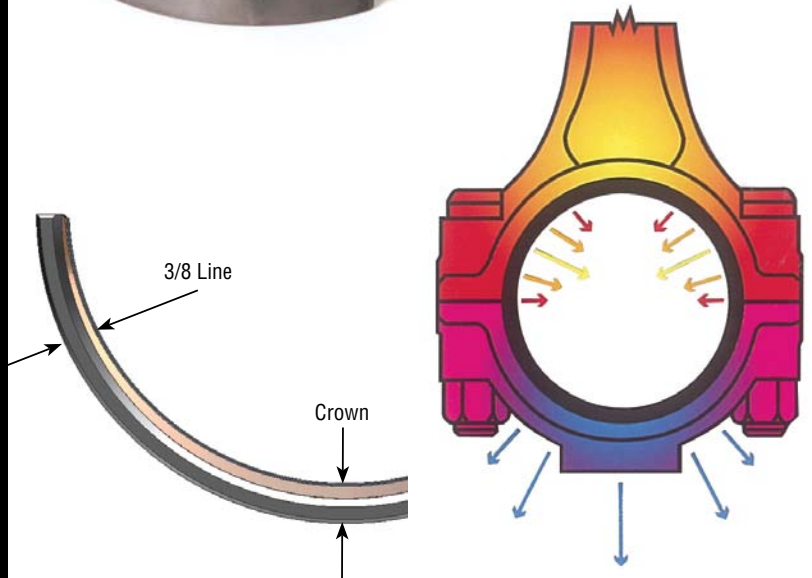
- Reduces interruption to big end oil supply.

Tapered groove run-out.

- Smooths big end supply cut-off avoiding pressure pulsing and cavitation.

Enlarged ID Chamfers

Accommodate larger fillet radii on performance crankshafts.



Application	Rod Bearing Set	Sizes	Main Bearing Set	Sizes	Cam Bearing Set / Thrustwasher Set / Piston Pin Bush	Size
Alfa Romeo 1570cc, 1779cc, 1962cc, 1995cc Alfetta, Giulia, Giulietta, Spider, GT, 155,164	4B1110H	Std, .25	5M1112H	Std, .25		
Alfa Romeo 1290cc 1300			5M1112H	Std, .25		
Alfa Romeo JTS V6 3195cc 159, Brera, Spider	6B2270H 6B2270HX	Std, .025, .25 Std	4M2273H 4M2273HX	Std, .025, .25 Std		
Audi 1595cc, 1781cc (incl. Turbo), 1984cc A3, A4, A6, TT, 80, 90, 100 (1983-2001)	4B1606H 4B1606HX	Std, .025, .25, .50 Std	5M1644H 5M1644HX	Std, .25, .50 Std	2T1644	Std
Audi 1781cc Turbo, 1984cc DOHC (incl Turbo) A3, A4, A6, TT (2000 on)	4B1609H 4B1609HX	Std, .025, .25 Std				
BMW M40B16, M40B18, M42B18, M43B16, M43B18, M43B19, M44B19 (1.6,1.8,1.9L) 316, 318, Z3	4B1490H 4B1490HX	Std, .025, .25, .50 Std	5M1538H 5M1538HX	Std, .025, .25, .50 Std		
BMW M20B20, M20B25, M20B27, M50B20, M50B25, M50B27, M52B20, M52B25, M52B28, M54B25 (2.0,2.5,2.7,2.8L)	6B1490H 6B1490HX	Std, .025, .25, .50 Std	7M1532H (03/1988 on) 7M1532HX (03/1988 on)	Std, .025, .25, .50 Std		
BMW M54B22, M54B30 (2.2,3.0L)	6B1490H 6B1490HX	Std, .025, .25, .50 Std				
BMW S14/7 (2.0L)	4B1489H 4B1489HX	Std, .025, .25 Std				
BMW S50B30 (3.0L) M3 E36	6B1515H 6B1515HX	Std, .025, .25 Std				
BMW S50B32 (3.2L) M3 E36	6B1497H 6B1497HX	Std, .025, .25 Std				
Custom Performance (1.889" journal, 0.792" wide)	8B1663H 8B1663HX	Std,001,010 Std				
Custom Performance (1.889" journal, 0.896" wide w/ dowel)	8B1665HD 8B1665HXD	Std,001 Std				
Chev 262, 267, 302, 305, 307, 327, 350 ci V8	8B663H 8B663HX	Std,001,009,010,011,020 Std	5M909H 5M909HX	Std,001,009,010,011,020 Std	5C3349C 5C3346C (housing bores constant at 1.999/2.001" (50.775/50.825mm))	Std Std
	8B663HD 8B663HXD	Std,001,010 Std			5C004AS (+0.010" OD, hsg bore 2.029/2.031" (51.537/51.587mm), customer to drill oil holes)	Std Std
Chev 265, 283, 302, 327 ci V8	8B745H 8B745HX	Std,001,010 Std	5M429H 5M429HX	Std,001,010 Std	5C3349C 5C3346C (housing bores constant at 1.999/2.001" (50.775/50.825mm))	Std Std
	8B745HD 8B745HXD	Std,001,010 Std			5C004AS (+0.010" OD, hsg bore 2.029/2.031" (51.537/51.587mm), customer to drill oil holes)	Std Std
Chev 4.8L & 5.3 L (Gen III & IV), 5.7L LS1, LS6 Gen III, 6.0L LS2, Vortec (Gen III & IV), 6.2L LS3, Vortec (Gen IV)	8B663H 8B663HX 8B663HD 8B663HXD	Std,001,009,010,011,020 Std Std,001,010 Std	5M7297H 5M7297HX	Std,001,010,020 Std	5C1000S (1st design 1997-2003) 5C1001S (2nd design 2003-on)	Std Std
Chev 400 ci V8	8B663H 8B663HX	Std,001,009,010,011,020 Std	5M1038H 5M1038HX	Std,001,010 Std	5C3349C 5C3346C (housing bores constant at 1.999/2.001" (50.775/50.825mm))	Std Std
	8B663HD 8B663HXD	Std,001,010 Std			5C004AS (+0.010" OD, hsg bore 2.029/2.031" (51.537/51.587mm), customer to drill oil holes)	Std Std
Chev 366, 396, 402, 427 454 ci V8	8B743H 8B743HX 8B743HD 8B743HXD	Std,001,009,010,011,020 Std Std,001,010 Std	5M829H 5M829HX	Std,001,009,010,011,020 Std	5C615S (1965-66) 5C616S (1967 on)	Std Std
Chrysler 273, 318, 326, 340 ci V8	8B481H 8B481HX	Std,001,010 Std	5M540P**	Std,10,20,30,40	5C875S (was part # 5C4636)	Std
Chrysler 318 ci LA / Magnum V8	8B481H 8B481HX	Std,001,010 Std	5M1344P**	Std,01,10,20,30,40	5C875S (1974-79) 5C1112S (1980 on)	Std Std
Chrysler 345, 370 ci (5.7, 6.1L) Hemi	8B1808H 8B1808HX	Std, .025, .25 Std	5M2220H 5M2220HX	Std, .025, .25 Std	1T611S	Std
Chrysler 360 ci V8	8B481H 8B481HX	Std,001,010 Std	5M1051P** (1971-73) 5M1266P** (1974 on)	Std,10,20,30,40 Std,01,10,20,30	5C875S (1971-79) 5C1112S (1980 on)	Std Std
Chrysler 350, 361, 383, 400, 413, 426, 440 ci V8	8B527HD 8B527HXD	Std,010 Std			5C876S	Std
Chrysler 488 ci (8.0L) V10 Viper	1B481H 1B481HX	Std,001,010 Std				
Ford BDA, BDB, BDC, BDD etc. Cosworth	4B1060H 4B1060HX	Std,001,010,020 Std	5M2152H 5M2152HX	Std,001,010,020 Std	1T2152	Std, +005
Ford Cosworth 2.0L	4B2166H 4B2166HX	Std, .25, .50 Std	5M2167H 5M2167HX	Std, .25, .50 Std	2T2167	Std, +005
Ford 2300 Stroker (Ford USA)	1B2280H 1B2280HX	Std,01,10,20 Std	5M1117H 5M1117HX 5M1743H 5M1743HX	Std,01,10,20 Std Std,01,10,20 Std	4C777S 4C777BS 2C1095S (Aux.)	Std Std Std
Ford 144, 170, 188 ci Inline 6	6B2150H 6B2150HX	Std,001,010,020				

**Duraglide 780 material

PRIOR TO GRINDING YOUR CRANKSHAFT, WE STRONGLY RECOMMEND YOU CHECK THE AVAILABILITY OF THE REQUIRED UNDERSIZE WITH YOUR LOCAL DISTRIBUTOR.

Application	Rod Bearing Set	Sizes	Main Bearing Set	Sizes	Cam Bearing Set / Thrustwasher Set / Piston Pin Bush	Size
Ford 200ci, 250ci Non X Flow 3.2L, 3.3L, 3.9L, 4.0L, 4.1L X Flow Inline 6 (Ford Australia)	6B2150H	Std,001,010,020	7M2158H	Std,001,010,020	4C5826	Std
	6B2150HX	Std	7M2158HX	Std		
Ford 4.0L & 4.0L Turbo Inline 6 (AU, BA, BF, FG) (Ford Australia)	6B2150H	Std,001,010,020	7M2092H	Std,001,010,020		
	6B2150HX	Std	7M2092HX	Std		
Ford 221, 255, 260, 289, 302 ci Windsor V8	8B634H	Std,001,009,010,011,020	5M590H	Std,001,009,010,011,020	5C1321S	Std
	8B634HX	Std	5M590HX	Std	5C1763S {constant hsg bores at 2.2041"/2.2051" - SVO engines}	Std
	8B634HD	Std,001,010				
8B634HDX	Std					
Ford 4.6L VIN 6,W,X Windsor SOHC, 5.4L SOHC V8	8B1442H	Std,.025,.25	5M7296H	Std,.025,.25	6C1100A	Std
	8B1442HX	Std	5M7296HX	Std	RB4113	Semi
Ford 4.6L DOHC, 4.6L SOHC 24V V8	8B1442H	Std,.025,.25	5M5647H	Std,.025,.25	6C1201A (late '96 on)	Std
	8B1442HX	Std	5M5647HX	Std	RB4113	Semi
Ford 5.4L DOHC 24V V8 (Supercharged) Aluminium Block (2011 on)	8B1442H	Std,.025,.25	5M5645H	Std,.025,.25	RB4113	Semi
	8B1442HX	Std	5M5645HX	Std		
Ford 351 Windsor V8	8B831P**	Std,01,10,20,30,40	5M1432H	Std,001,010	5C1321S	Std
			5M1432HX	Std		
Ford 302/351ci Cleveland V8	8B927H	Std,001,010,020	5M1010H	Std,001,010,020	5C710C (was part # 5C5696)	Std
			5M1010HX	Std	5C1763S {constant hsg bores at 2.2041"/2.2051" - SVO engines}	Std
Ford 377ci Cleveland stroker (using Chev conrods)	8B1227H	Std,01,10	5M1010H	Std,001,010,020	5C710C (was part # 5C5696)	Std
	8B1227HX	Std	5M1010HX	Std	5C1763S {constant hsg bores at 2.2041"/2.2051" - SVO engines}	Std
Ford 370, 429, 460 ci V8	8B818H	Std,001,010	5M1039H	Std,001,010	5C1111S	Std, 010
			5M1039HX	Std		
Ford/Lotus 1500cc-1600cc Inline 4 OHV & Twin Cam (Elan/Escort/Cortina)	4B603H	Std,001,010,020	5M2152H	Std,001,010,020	10C5808 (Twin Cam)	Std
	4B603HX	Std	5M2152HX	Std	1T2152	Std, +005
Ford/Mazda 2.0L (LF) Duratec	4B4390H	Std,.025,.25				
	4B4390HX	Std				
Ford/Mazda 2.3L (L3) Duratec	4B8170H	Std,.025,.25				
	4B8170HX	Std				
GM/Holden 1.6/1.8/2.0/2.4L Family II Engines	4B2322H	Std,.025,.25,.50				
	4B2322HX	Std				
Holden 202ci Inline 6 (Red, Blue, Black) 173 ci (2850cc) Inline 6 (Blue)	6B2380H	Std,001,010,020	7M2398H	Std,001,010,020	4C5116	Std,001
	6B2380HX	Std	7M2398HX	Std		005, 010
Holden 138, 149, 161, 173, 179, 186 ci Inline 6	6B2380H	Std,001,010,020	7M2384H	Std,001,010,020	4C5116	Std,001
	6B2380HX	Std	7M2384HX	Std		005, 010
Holden/Buick 231 ci (3.8L V6) (Universal Main Set to suit all)	6B2306H	Std,001,010,020	4SM2222H	Std,001,010,020	4C5106 (1988-5/95)	Std,010
	6B2306HX	Std	4SM2222HX	Std	4C5108 (5/95 on)	Std,010
	6B2306HD	Std,001,010				
6B2306HDX	Std					
Holden Alloytec HFV6 LF1, 10HMA, LLT, LY7 (3.0, 3.2, 3.6L)	6B2270H	Std,.025,.25	4M2273H	Std,.025,.25		
	6B2270HX	Std	4M2273HX	Std		
Holden 253ci, 4.9L, 308ci, 5.7L V8 Red, Blue, Black	8B2356H	Std,001,010,020	5M2357H	Std,001,010,020	5C5146C	Std,002,010
	8B2356HX	Std	5M2357HX	Std		
Holden Gen III & Gen IV V8 LS1 (5.7L), LS2, L76, L98 (6.0L), LS3 (6.2L)	8B663H	Std,001,009,010,011,020	5M7297H	Std,001,010,020	5C1000S (1st design 1997-2003)	Std
	8B663HX	Std	5M7297HX	Std	5C1001S (2nd design 2003-on)	Std
	8B663HD	Std,001,010				
	8B663HDX	Std				
Honda D15B, D15Z 1493cc Inline 4 (engines from 09/1991 on)	4B1956H	Std,.025,.25				
	4B1956HX	Std				
Honda/Acura D16A, D16B, D16W, D16Y, D16Z 1590cc Inline 4	4B1956H	Std,.025,.25	5M1957H	Std,.025,.25	1T1957	Std
	4B1956HX	Std	5M1957HX	Std		
Honda/Acura A18A, ES, ET, A20A 1829cc, 1955cc Inline 4	4B1946H	Std,.025,.25				
	4B1946HX	Std				
Honda/Acura B16A 1595cc Inline 4	4B1946H	Std,.025,.25	5M1959H	Std,.025,.25	1T1957	Std
	4B1946HX	Std	5M1959HX	Std		
Honda/Acura B17A1/B18A1/B18B1/B18B2 1678cc/1834cc Inline 4	4B1946H	Std,.025,.25	5M1959H	Std,.025,.25	1T1957	Std
	4B1946HX	Std	5M1959HX	Std		
Honda B18A/B20A SOHC only 1834cc/1958cc Inline 4	4B1946H	Std,.025,.25	5M1957H	Std,.025,.25	1T1957	Std
	4B1946HX	Std	5M1957HX	Std		
Honda/Acura B18C1 /B18C2/B18C5/B18C7 1797cc Inline 4 VTEC	4B1925H	Std,.025,.25	5M1959H	Std,.025,.25	1T1957	Std
	4B1925HX	Std	5M1959HX	Std		
Honda/Acura B20A/B21A/B21A1 DOHC only 1958cc/2056cc Inline 4	4B1936**	Std,.25,.50,.75,1.0	5M1957H	Std,.025,.25	1T1957	Std
			5M1957HX	Std		
Honda B20B/B20Z 1972cc Inline 4	4B1946H	Std,.025,.25	5M1959H	Std,.025,.25	1T1957	Std
	4B1946HX	Std	5M1959HX	Std		
Honda/Acura D17A / D17Z 1668cc Inline 4	4B1980**	Std,.25,.50,.75	5M1957H	Std,.025,.25	1T1957	Std
			5M1957HX	Std		
Honda/Acura K20A3 1998cc Inline 4	4B1906H	Std,.025,.25,.50	5M1959H	Std,.025,.25	1T1957	Std
	4B1906HX	Std	5M1959HX	Std		
Honda/Acura K20A2 / K20Z1 / K24A / K24Z1 1998cc/2354cc Inline 4	4B1972H	Std,.025,.25	5M1959H	Std,.025,.25	1T1957	Std
	4B1972HX	Std	5M1959HX	Std		
Honda F18B / F20B 1850cc, 1997cc Inline 4	4B1946H	Std,.025,.25				
	4B1946HX	Std				
Honda F20C / F22C 1997cc/2157cc Inline 4	4B1912H	Std,.025,.25	5M1913H	Std,.025,.25		
	4B1912HX	Std	5M1913HX	Std		
Honda H22A / H22Z 2157cc Inline 4	4B1912H	Std,.025,.25	5M1957H (1998 on)	Std,.025,.25	1T1957 (1998 on)	Std
	4B1912HX	Std	5M1957HX (1998 on)	Std		
Honda F23A / F23Z (1998 on) 2254cc Inline 4	4B1906H	Std,.025,.25,.50	5M1957H	Std,.025,.25	1T1957	
	4B1906HX	Std	5M1957HX	Std		

PRIOR TO GRINDING YOUR CRANKSHAFT, WE STRONGLY RECOMMEND YOU CHECK THE AVAILABILITY OF THE REQUIRED UNDERSIZE WITH YOUR LOCAL DISTRIBUTOR.

Application	Rod Bearing Set	Sizes	Main Bearing Set	Sizes	Cam Bearing Set / Thrustwasher Set / Piston Pin Bush	Size
Hyundai G4KF 2.0T (Theta II, 2010 on) 1998cc Inline 4 Turbo - Genesis, Sonata	4B1293H	Std.,.025,.25	5M1295H	Std.,.025,.25		
	4B1293HX	Std	5M1295HX	Std		
Mazda 2.0L LF MZR (Duratec) Mazda 3, MX-5	4B4390H	Std.,.025,.25				
	4B4390HX	Std				
Mazda 2.3L L3-VDT DISI Turbo (Duratec) Mazda 3 MPS, 6 MPS, CX-7	4B8172H	Std.,.025,.25				
	4B8172HX	Std				
Mazda 2.3L L3 MZR (Duratec) Mazda 3, 6, Tribute	4B8170H	Std.,.025,.25				
	4B8170HX	Std				
Mazda B1 , B3, B5, Z5-DE 1.1L, 1.3L, 1.5L Inline 4	4B8331**	Std.,.25,.50,.75,1.0,1.25,1.5	5M8353H	Std.,.025,.25,.50	1T8353	Std
			5M8353HX	Std		
Mazda B6/B6-T, BP/BP-T, ZL-VE, ZM-DE 1.5L, 1.6L, 1.8L Inline 4	4B8351H	Std.,.025,.25,.50	5M8353H	Std.,.025,.25,.50	1T8353	Std
	4B8351HX	Std	5M8353HX	Std		
Mini (BMW) W10B16 1598cc Inline 4 One/Cooper	4B2903H	Std.,.025,.25				
	4B2903HX	Std				
Mini (BMW) W11B16 Supercharged 1598cc Inline 4 Cooper S	4B2902H	Std.,.025,.25				
	4B2902HX	Std				
Mitsubishi 4G30/31/32/33/35/36/37 1.2L,1.3L,1.4L,1.5L,1.6L,1.7L,1.8L Inline 4	4B1146H	Std.,.025,.25	5M1144H	Std.,.025,.25		
	4B1146HX	Std	5M1144HX	Std		
Mitsubishi 4G61/4G61T/4G62/G62BT 1.6L, 1.8L Inline 4	4B1146H	Std.,.025,.25	5M1144H	Std.,.025,.25		
	4B1146HX	Std	5M1144HX	Std		
Mitsubishi 4G63/4G63T/4G64 (1983-1992)	4B1146H	Std.,.025,.25	5M1144H	Std.,.025,.25		
	4B1146HX	Std	5M1144HX	Std		
Mitsubishi 4G63/4G63T/4G64 (1992-97 with flange main)	4B1185H	Std.,.025,.25	5M1186H	Std.,.025,.25		
	4B1185HX	Std	5M1186HX	Std		
Mitsubishi 4G63/4G63T/4G64 (1997 on with T/W)	4B1185H	Std.,.025,.25	5M1219H	Std.,.025,.25	1T1219	Std
	4B1185HX	Std	5M1219HX	Std		
Mitsubishi 4G91/4G92/4G93/4G93-T 1.5L/1.6L/1.8L Inline 4	4B8036H	Std.,.25	5M8037H	Std.,.25	1T8037	Std
Mitsubishi 4G94 2.0L Inline 4	4B8050H	Std.,.025,.25	5M8037H	Std.,.25	1T8037	Std
	4B8050HX	Std				
Mitsubishi 4B11T (EVO X) Lancer Evolution	4B1236H	Std.,.025,.25	5M1237H	Std.,.025,.25	1T1237	Std
	4B1236HX	Std	5M1237HX	Std		
Mitsubishi 4M41 Turbo Diesel 3.2L Inline 4	4B1800H	Std				Std
Nissan CA16, CA18, CA18DET, CA20, CD17 1.6L/1.7L/1.8L/2.0L Inline 4	4B1630H	Std.,.025,.25,.50	5M1633H	Std.,.025,.25,.50		
	4B1630HX	Std	5M1633HX	Std		
Nissan CD20, CD20-T Diesel/Turbo Diesel 2.0L Inline 4			5M1633H	Std.,.025,.25,.50		
			5M1633HX	Std		
Nissan MR16DDT 1.6L Inline 4 Turbo			5M2905H	Std.,.025,.25		
			5M2905HX	Std		
Nissan RB20E, RB20S (SOHC) 2.0L Inline 6	6B2389**	Std.,.25,.50,.75,1.0	7M2394H	Std.,.025,.25,.50	RB4107	
			7M2394HX	Std		
Nissan RB20DE, RB20DET (DOHC) 2.0L Inline 6	6B2630H	Std.,.025,.25	7M2394H	Std.,.025,.25,.50	RB4074	
	6B2630HX	Std	7M2394HX	Std		
Nissan RB25DE, RB25DETT 2.5L Inline 6	6B2960H	Std.,.025,.25,.50	7M2394H	Std.,.025,.25,.50	RB4074	
	6B2960HX	Std	7M2394HX	Std		
Nissan RB26DETT 2.6L Inline 6	6B2960H	Std.,.025,.25,.50	7M2428H	Std.,.025,.25,.50	RB4074	
	6B2960HX	Std	7M2428HX	Std		
Nissan RB30/RB30ET 3.0L Inline 6	6B2390H	Std.,.025,.25,.50	7M2394H	Std.,.025,.25,.50	RB4074	
	6B2390HX	Std	7M2394HX	Std		
Nissan RD28/RD28E/RD28T 3.0L Inline 6 Diesel / Turbo Diesel	6B2930**	Std.,.25,.50,.75,1.0	7M2394H	Std.,.025,.25,.50		
			7M2394HX	Std		
Nissan SR20DE/DET (non GTiR) 2.0L Inline 4	4B2960H (17mm wide)	Std.,.025,.25,.50	5M2964H	Std.,.025,.25,.50	1T2964	Std
	4B2960HX	Std	5M2964HX	Std		
Nissan SR20DET (GTiR) 2.0L Inline 4	4B2976H (19mm wide)	Std.,.025,.25	5M2975H (5 oil holes in upper)	Std.,.025,.25	1T2964	Std
	4B2976HX	Std	5M2975HX	Std		
Nissan TB42/TB45/TB48 L6 4.2L/4.5L/4.8L Inline 6	6B2955H	Std.,.025,.25				
	6B2955HX	Std				
Nissan VG20E/VG20ET/VG20DET 2.0L V6			4M2737H	Std.,.025,.25		
			4M2737HX	Std		
Nissan VG30E/VG30ET/VG30i/VG33E 3.0L/3.3L V6	6B2390H	Std.,.025,.25,.50	4M2737H	Std.,.025,.25,.50		
	6B2390HX	Std	4M2737HX	Std		
Nissan VG30DE/VG30DETT 3.0L V6	6B2390H	Std.,.025,.25,.50	4M2737H	Std.,.025,.25,.50		
	6B2390HX	Std	4M2737HX	Std		
Nissan VQ20DE/VQ25DE/VQ25DET VQ30DE/VQ30DET 2.0L/2.5L/3.0L V6	6B2640H	Std.,.025,.25	4M2633H	Std.,.025,.25,.50	2T2633	
	6B2640HX	Std	4M2633HX	Std		
Nissan VQ35DE 3.5L V6	6B2640H	Std.,.025,.25	4M2633H	Std.,.025,.25	2T2633	Std
	6B2640HX	Std	4M2633HX	Std	6RB4128 (set of 6)	
Nissan VR38DETT (GT-R R35) 3.8L V6 Twin Turbo	1B2500H	Std-0/1/2 (Graded)	1M2505H	Std-0/1/2/3/4 (Graded)	1T2505	Std
	6B2500H	Std.,.25	4M2505H	Std.,.25		
Nissan VK45, VK50, VK56 4.5L, 5.0L, 5.6L V8	8B2990H	Std.,.025,.25	5M2995H	Std.,.025,.25	2T2995	Std
	8B2990HX	Std	5M2995HX	Std		
Opel 1.6/1.8/2.0/2.4L Family II	4B2322H	Std.,.025,.25,.50				
	4B2322HX	Std				
Opel Z28NEL, Z28NET, Z32SE 2.8L Turbo, 3.2L V6	6B2270H	Std.,.025,.25	4M2273H	Std.,.025,.25		
	6B2270HX	Std	4M2273HX	Std		

Application	Rod Bearing Set	Sizes	Main Bearing Set	Sizes	Cam Bearing Set / Thrustwasher Set / Piston Pin Bush	Size
Peugeot XU9/XU10/XU10J2/XU10J4/XU10M1905cc, 1998cc Inline 4	4B7700H	Std, .25				
Peugeot TU9/XV3/XV5/XV8 954cc Inline 4	4B7712H 4B7712HX	Std, .30, .50 Std			1T7707	Std, +.15
Peugeot TU3.2/TU3J2/TU5JP/TU5JP4 1360cc/1587cc Inline 4	4B7712H 4B7712HX	Std, .30, .50 Std	5M2797H 5M2797HX	Std, .30, .50 Std	1T7707	Std, +.15
Peugeot TU1/TU2.4/TU2J2/XW3/XW7 1124cc/1294cc Inline 4	4B7712H 4B7712HX	Std, .30, .50 Std			1T7709	Std, +.10
Peugeot TU3A/TU3CP/TU3M/TU3S XY6/XY7/XY8 1360cc Inline 4	4B7712H 4B7712HX	Std, .30, .50 Std			1T7709	Std, +.10
Peugeot TU1JP/TU3JP/TU5J2/TU5J4 XU5J/XU5JP 1124/1360/1580/1587cc Inline 4	4B7712H 4B7712HX	Std, .30, .50 Std	5M2797H 5M2797HX	Std, .30, .50 Std	1T7709	Std, +.10
Peugeot TU3JP (2005 on), TUD5 (Diesel) 1360cc/1587cc Inline 4			5M2797H 5M2797HX	Std, .30, .50 Std	1T7709	Std, +.10
Peugeot EW7/EW10/EW12 1749cc, 1997cc, 2230cc Inline 4	4B7736H	Std, .30				
Peugeot XU7JB, XU7JP, XU7JP4 1761cc Inline 4	4B7736H	Std, .30				
Porsche 911/914 (incl. Turbo) 1990cc/2193cc H6	6B2452H 6B2452HX	Std, .025, .25 Std				
Renault 129-5/XZ7R, 150-X5J 1219cc/1360cc Inline 4	4B7712H 4B7712HX	Std, .30, .50 Std				
Renault F1N, F2N, F2R, F3N, F3P, F3R F7P, F7R 1721cc, 1794cc, 1763cc, 1998cc Inline 4	4B7820H 4B7820HX	Std, .25, .50 Std	5M7807H 5M7807HX	Std, .25, .50 Std	1T7807 RB4122	Std, +.10 Semi
Renault F8M, F8Q 1595cc/1870cc Inline 4 Diesel	4B7820H 4B7820HX	Std, .25, .50 Std	5M7807H 5M7807HX	Std, .25, .50 Std	1T7807	Std, +.10
Saab LP9 2.8L Turbo V6 9-3, 9-5	6B2270H 6B2270HX	Std, .025, .25 Std	4M2273H 4M2273HX	Std, .025, .25 Std		
Subaru EJ15/EJ16 1493cc/1597cc H4	4B8296H (suits 52 mm journal size) 4B8296HX 4B8320H (suits 48 mm journal size) 4B8320HX	Std, .025, .25, .50 Std Std, .025, .25, .50 Std	5M8297H (for thrust in #3 position) 5M8297HX	Std, .025, .25, .50 Std		
Subaru EJ18/EJ20/EJ22/EJ25 EJ20T/EJ20TT/EJ22T/EJ25T (Turbo/Twin Turbo)1820cc/1994cc/2212cc/2457cc H4	4B8296H (suits 52 mm journal size) 4B8296HX 4B8320H (suits 48 mm journal size) 4B8320HX	Std, .025, .25, .50 Std Std, .025, .25, .50 Std	5M8297H (for thrust in #3 position) 5M8297HX 5M8309H (for thrust in #5 position) 5M8309HX	Std, .025, .25, .50 Std Std, .025, .25, .50 Std	RB4125	
Suzuki G13A/G13B/G13BA/G13BB 1298cc/1324cc Inline 4	4B8336H 4B8336HX	Std, .25, .50 Std	5M8337H 5M8337HX	Std, .25, .50 Std	1T8337	Std
Suzuki M16A Liana, Grand Vitara, Swift 1586cc Inline 4	4B8440H 4B8440HX	Std, .025, .25 Std	5M8443H 5M8443HX	Std, .025, .25 Std		
Toyota 2A, 3A, 4A, 5A, 6A, 7A 1298cc, 1397cc, 1452cc, 1587cc, 1762cc Inline 4			5M1695H (1983 on) 5M1695HX	Std, .025, .25, .50 Std	2T1695	Std
Toyota 4AGE, 4AGZE, 4A-GEC, 4A-GELC 1587cc Inline 4	4B1780H 4B1780HX	Std, .025, .25, .50 Std	5M1695H 5M1695HX	Std, .025, .25, .50 Std	2T1695	Std
Toyota/Lexus 2ZZ-GE 1796cc Inline 4	4B1856H 4B1856HX	Std, .025, .25 Std	5M1857H 5M1857HX	Std, .025, .25 Std	1T1853	Std
Toyota 1S, 2S, 3S, 4S, 5S 1832cc, 1838cc, 1995cc, 1998cc, 2164cc Inline 4			5M8361H 5M8361HX	Std, .025, .25, .50 Std	2T1689	Std
Toyota 3SGE, 3SGTE 1998cc Inline 4	4B8366H 4B8366HX	Std, .025, .25, .50 Std	5M8361H 5M8361HX	Std, .025, .25, .50 Std	2T1689	Std
Toyota 1AZ-FE, 2AZ-FE, 2AZ-FXE 1998cc, 2362cc Inline 4	4B8411H 4B8411HX	Std, .025, .25 Std	5M8412H 5M8412HX	Std, .025, .25 Std	1T8412	Std
Toyota/Lexus 1JZGE/1JZGTE 2492cc 2JZGE/2JZGTE 2997cc Inline 6	6B8100H 6B8100HX	Std, .025, .25 Std	7M8103H 7M8103HX	Std, .025, .25 Std	2T8103	Std
Toyota/Lexus 1UZFE 3969cc V8	8B8091H 8B8091HX	Std, .025, .25, .50 Std	5M8088H 5M8088HX	Std, .025, .25, .50 Std	2T8092	Std
			5M8092H (to be superceded) 5M8092HX (to be superceded)	Std, .025, .25, .50 Std		
Toyota/Lexus 2UZFE/3UZFE 4664cc/4293cc V8	8B8091H 8B8091HX	Std, .025, .25, .50 Std	5M8088H 5M8088HX	Std, .025, .25, .50 Std	2T8092	Std
Toyota 1FZFE Landcruiser 4476cc Inline 6	6B7990H 6B7990HX	Std, .025, .25 Std	7M7989H 7M7989HX	Std, .025, .25 Std		
VW 1595cc, 1781cc (incl. Turbo), 1984cc, 1998cc Polo, Caddy, Golf, Jetta, Passat (1983-2003)	4B1606H 4B1606HX	Std, .025, .25, .50 Std	5M1644H 5M1644HX	Std, .25, .50 Std	2T1644	Std
VW 1781cc Turbo, 1984cc (incl Turbo) Polo, Golf, Jetta, Eos, Passat (2000 on)	4B1609H 4B1609HX	Std, .025, .25 Std				
Volvo B200, B204, B230, B234 (incl. Turbo) 1986cc, 2316cc Inline 4	4B2726H	Std				

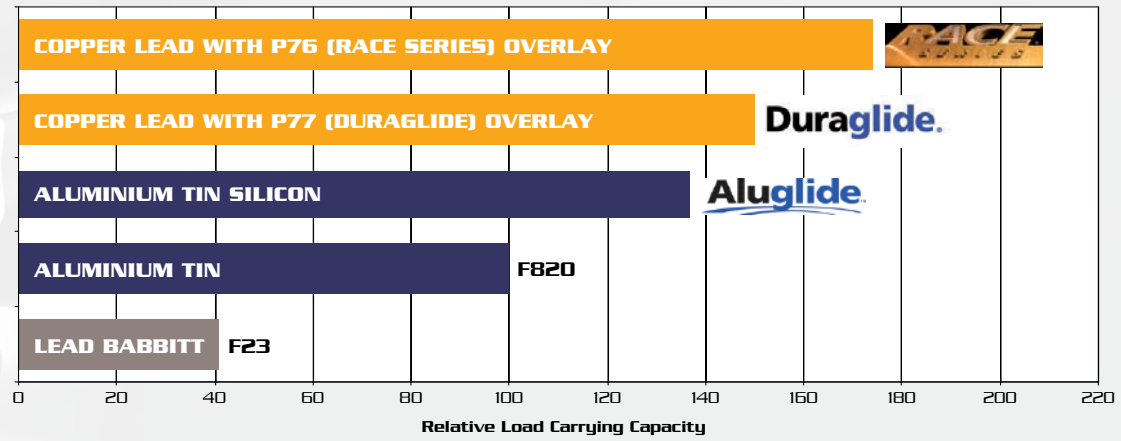
PRIOR TO GRINDING YOUR CRANKSHAFT, WE STRONGLY RECOMMEND YOU CHECK THE AVAILABILITY OF THE REQUIRED UNDERSIZE WITH YOUR LOCAL DISTRIBUTOR.



RACE SERIES

PERFORMANCE ENGINE BEARINGS

Comparison of ACL Materials



Your Engine Bearing Stockist



ACL Bearing Company

A Division of Automotive Components Limited
253-293 George Town Road, Rocherlea,
Tasmania 7248 Australia

For technical enquiries +61 (0)3 6324 4600 or visit

www.aclperformance.com.au

Copyright - Automotive Components Limited
Reproduction in whole or part is prohibited without written approval